

TECHNICAL DATA SHEET

GLASSWASHER | PE435

Code 4012335

2 Year Parts & Labour Warranty

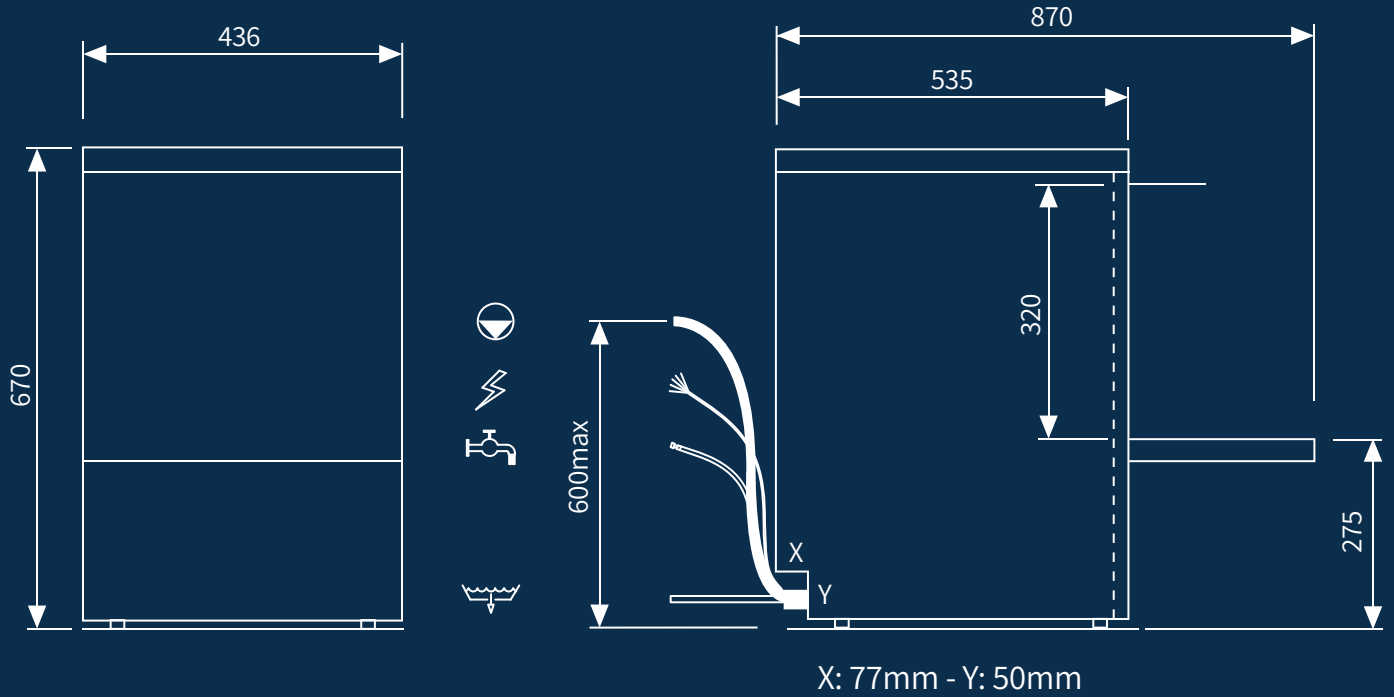


EXTERNAL DIMENSIONS, WEIGHT & VOLUME	Overall Dimension (Width-Depth-Height) *Open	mm	436 x 535 (870*) x 670 (820 + Legs)
	Packaging Dimension (W x D x H)	mm	520 x 610 x 840
	Gross Weight	Kg	35
	Net Weight	Kg	32
	Volume	M ³	0.27
CONSTRUCTION	Rack Size	mm	400 x 400
	Distance Between Rails	mm	385 x 385
	Rack's Drives/Frame Construction		Flat, Special For 14" Racks
	Max Door/Hood Opening	mm	320
	Max Glasses/Plate Height	mm	300
	General Construction		Single Skin
	Door/Hood Construction		Double Skin
TANK	Tank Construction		Welded
	Tank Volume	Litre	8
	Tank Heating Element	W	630
	Tank Surface Strainers		Yes - Composite
WASH PUMP	Wash Pump Type		Double Flow
	Wash Pump Power	W	200
	Wash Temperature	°C	60
BOILER	Boiler Type		Pressurised
	Boiler Volume	Litre	2.6
	Back-Flow System		Valve
	Boiler Heating Element	W	2.730
RINSE	Rinse Booster Pump		No
	Rinse Booster Pump Power	W	-
	Rinse Temperature	°C	65
	Rinse Water Consumption	Litre/Rack	1.8
	Optimal External Water Pressure	Bar	2 - 4
DRAIN	Drain System		Partial Drain
	Drain Pump		Standard Built In
RINSE AID & DETERGENT DISPENSER	Rinse Aid Dispenser	Peristaltic	Yes
	Detergent Dispenser	Peristaltic	Yes
WASH	Wash Cycle	Sec	60 -120 -150
	Self Cleaning – Drain		Yes
POWER	Electric Power	W	3.600
	Electric Connection	V - Ph - Hz	240v 1n 50hz
	Fuse	Amp	15
WASH SOFTENER	Water Softener		No
INSTALLED PARTS	Wire Rack 14" x 17"	N°1	Yes
	Special Legs (H15cm)	N°4	Yes
	Drain Hose	N°1	Yes
	Fill Hose "Watermark"	N°1	Yes

TECHNICAL DATA SHEET

GLASSWASHER | PE435

Code 4012335



This product has been manufactured for commercial use only.

DIMENSIONS & WEIGHT	Width	436mm
	Depth	535mm
	Height	670mm (820 including legs)
	Net Weight	32Kg

